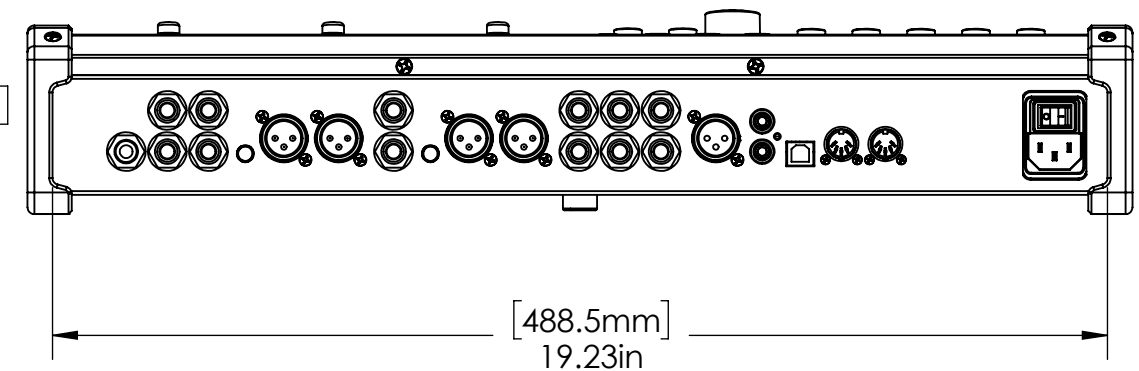
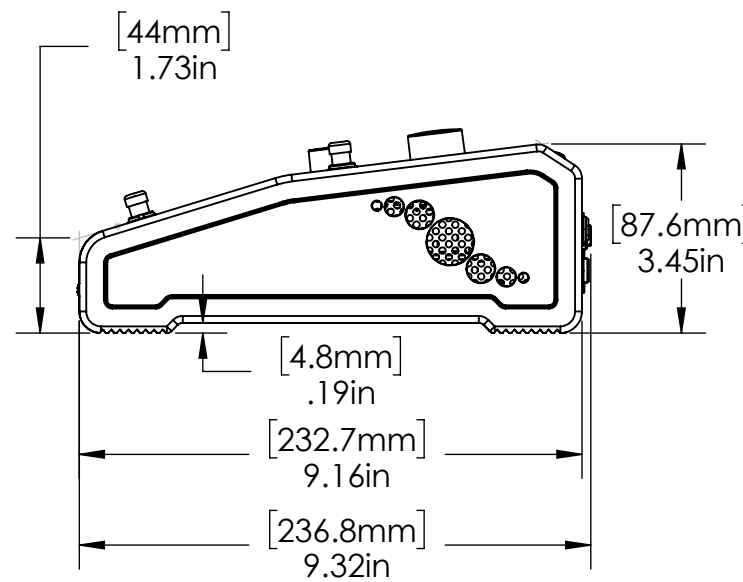
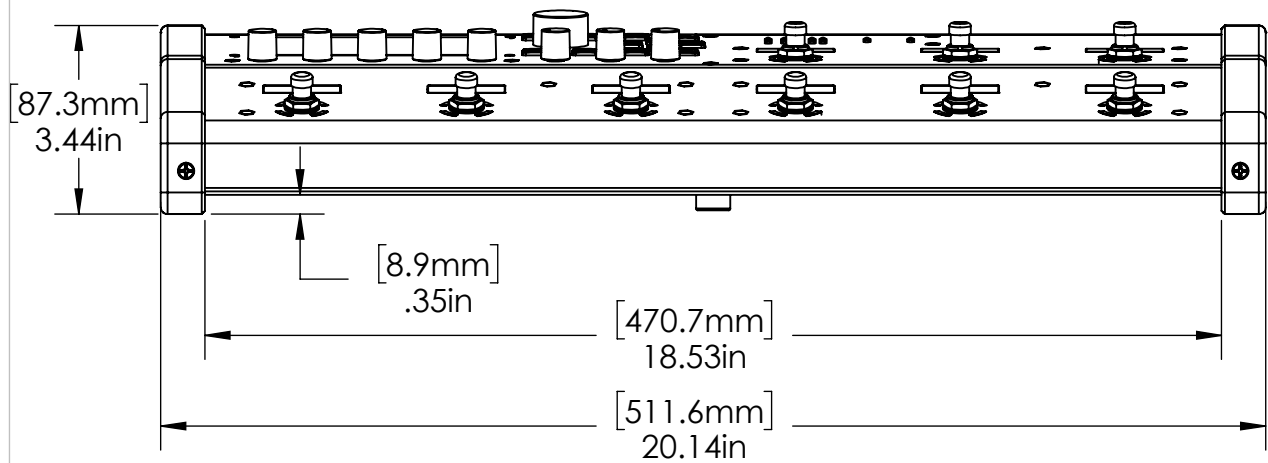
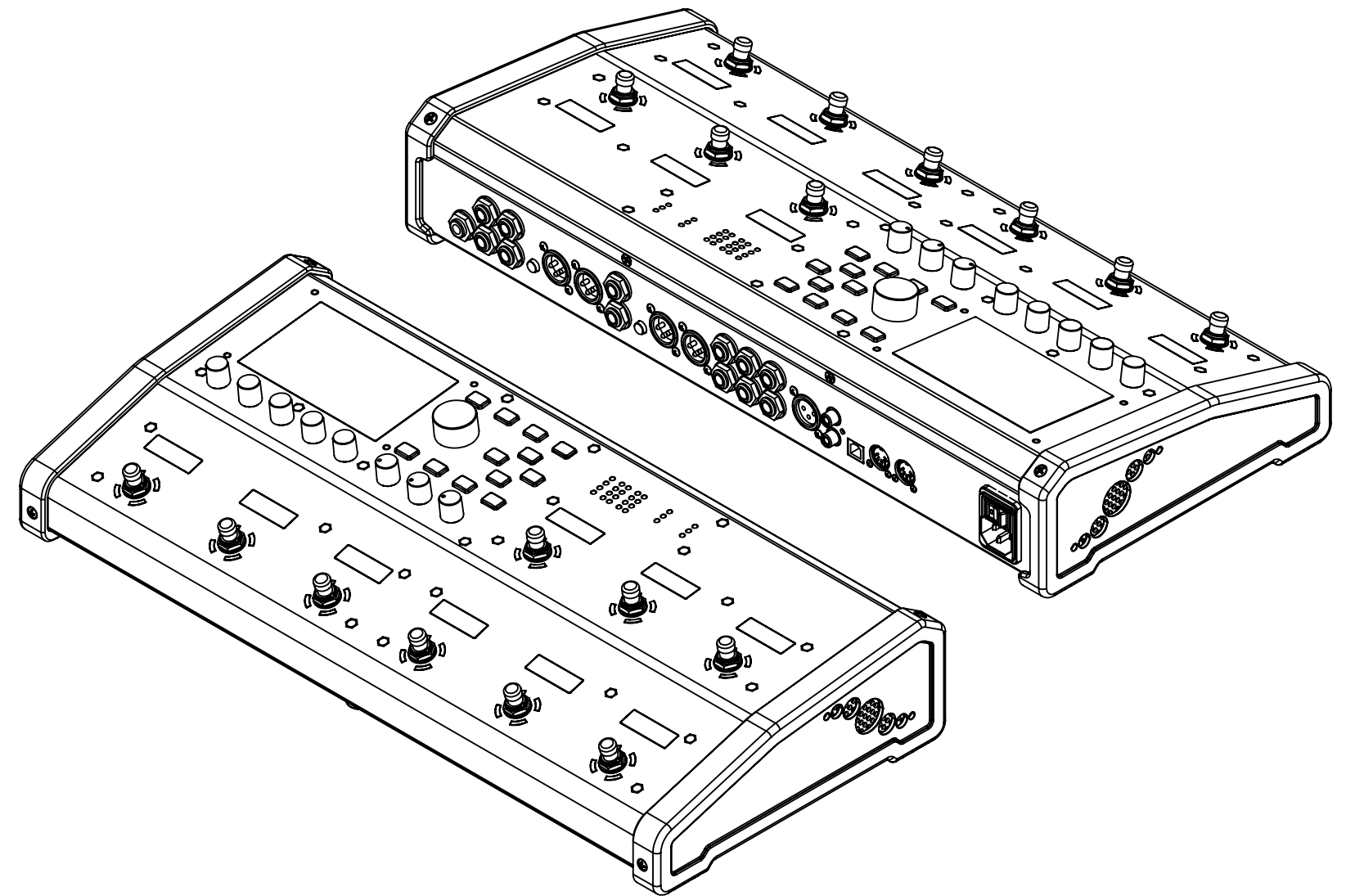
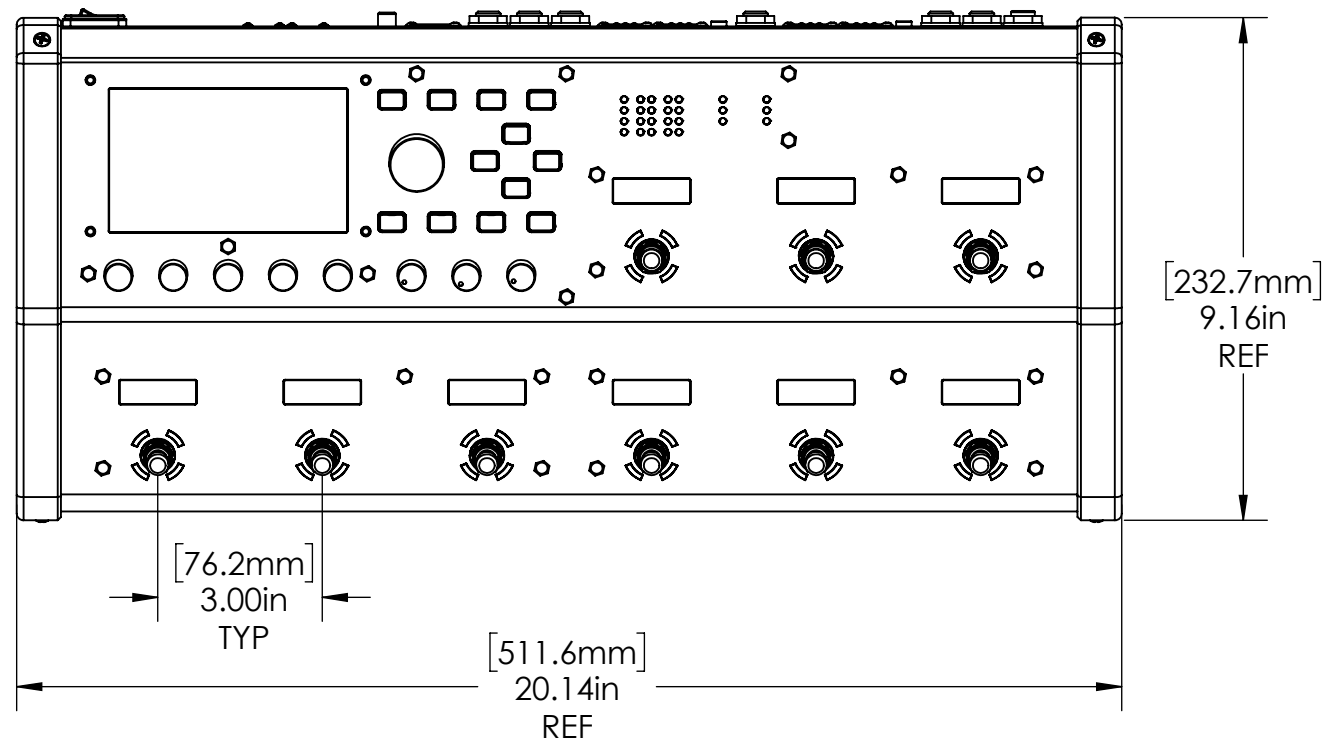


FRACTAL AUDIO SYSTEMS CONFIDENTIAL
 THIS DOCUMENT SHALL NOT BE REPRODUCED NOR SHALL
 THE INFORMATION CONTAINED HEREIN BE USED BY OR
 DISCLOSED TO OTHERS EXCEPT AS EXPRESSLY AUTHORIZED
 IN WRITING BY FRACTAL AUDIO.



WEIGHT: 12 lbs / 5.44 kg

NOTE:

OVERALL DIMENSIONS SHOWN ARE FOR REFERENCE PURPOSES ONLY.
 ACTUAL DIMENSIONS WILL VARY WITHIN STANDARD INDUSTRY TOLERANCES.

UNLESS OTHERWISE SPECIFIED DIMENSIONS
 ARE IN INCHES [MILLIMETERS] & TOLERANCES ARE:

DO NOT SCALE DRAWING

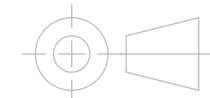
MATERIAL

FINISH

APPROVALS

DATE

THIRD ANGLE PROJECTION



TITLE

FM-9 LAYOUT DRAWING

SIZE

B

DWG NO

FILE: FM-9 Layout Drawing,SLDDRW

REV

1.0

SCALE: NONE

SHEET 1 OF 1