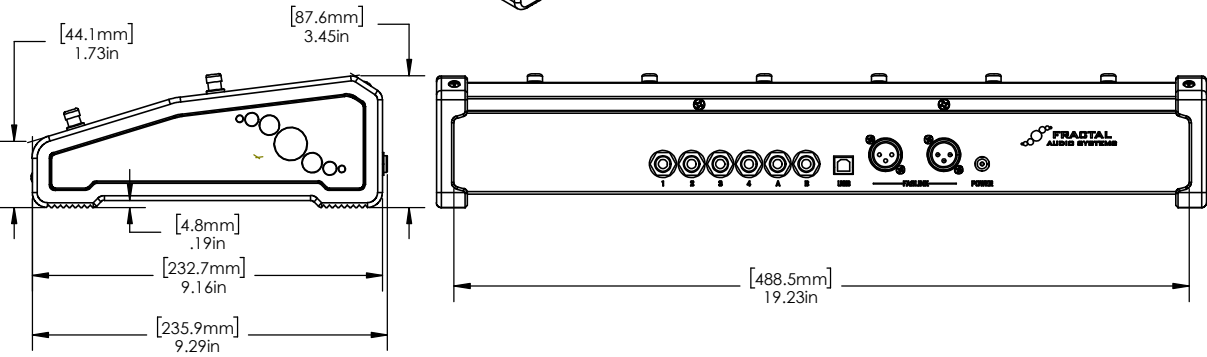
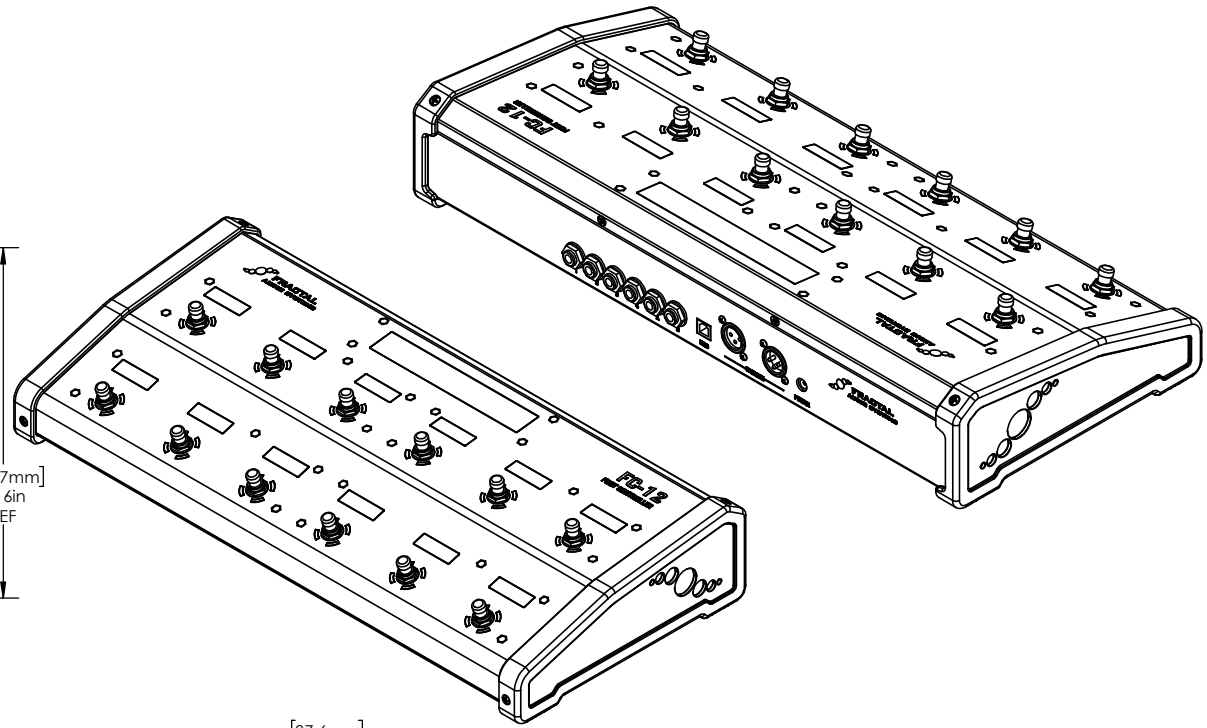
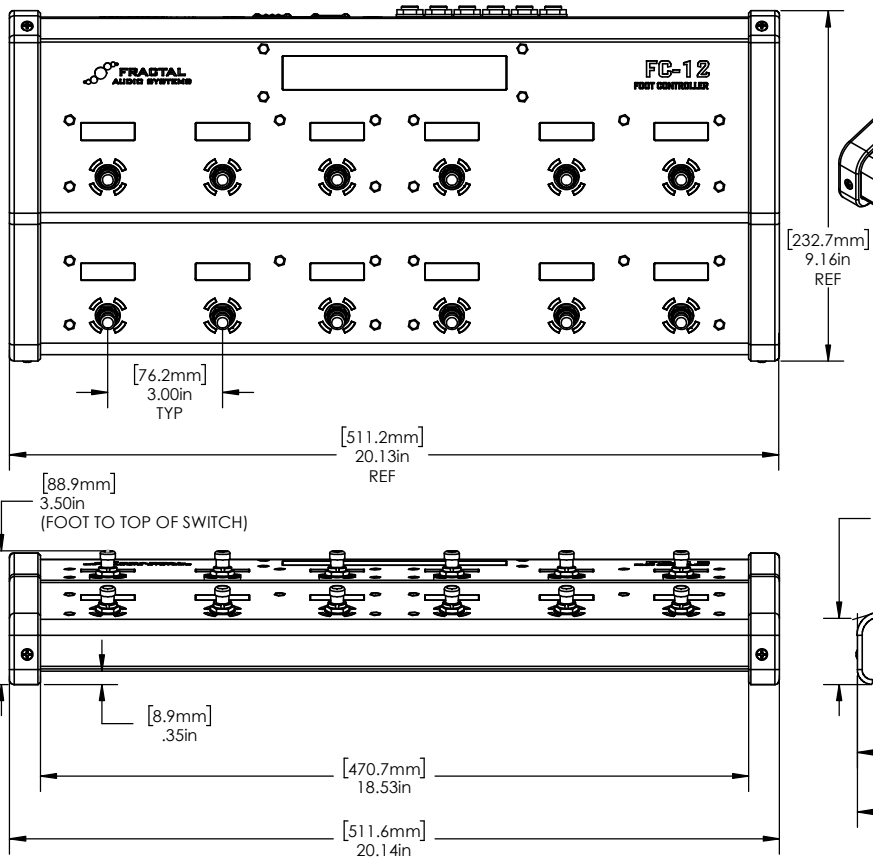




**FRACTAL AUDIO SYSTEMS CONFIDENTIAL**  
 THIS DOCUMENT SHALL NOT BE REPRODUCED NOR SHALL THE INFORMATION CONTAINED HEREIN BE USED BY OR DISCLOSED TO OTHERS EXCEPT AS EXPRESSLY AUTHORIZED IN WRITING BY FRACTAL AUDIO.



**NOTE:**

OVERALL DIMENSIONS SHOWN ARE FOR REFERENCE PURPOSES ONLY. ACTUAL DIMENSIONS WILL VARY WITHIN STANDARD INDUSTRY TOLERANCES.

UNLESS OTHERWISE SPECIFIED DIMENSIONS ARE IN INCHES (MILLIMETERS) & TOLERANCES ARE:		APPROVALS		DATE	
DO NOT SCALE DRAWING					
		THIRD ANGLE PROJECTION			
MATERIAL				TITLE	
FINISH				 <b>FC-12 LAYOUT</b>	
		SIZE		DWG NO	
		B			
		FILE: FC-12 Layout Drawing 2018-06-03.SLDRW		SCALE: NONE	
				SHEET 1 OF 1	